

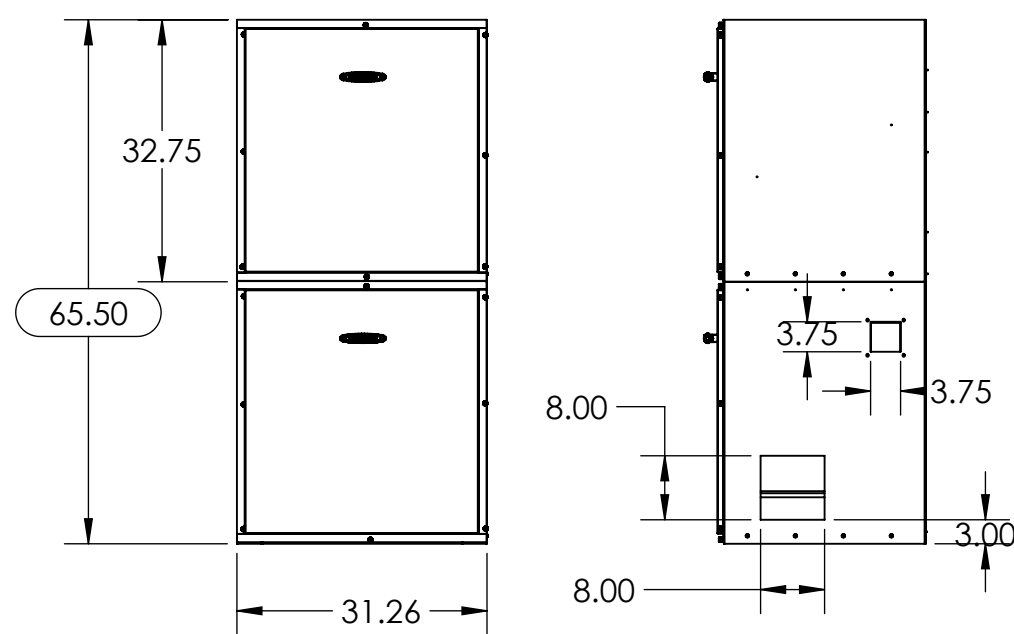
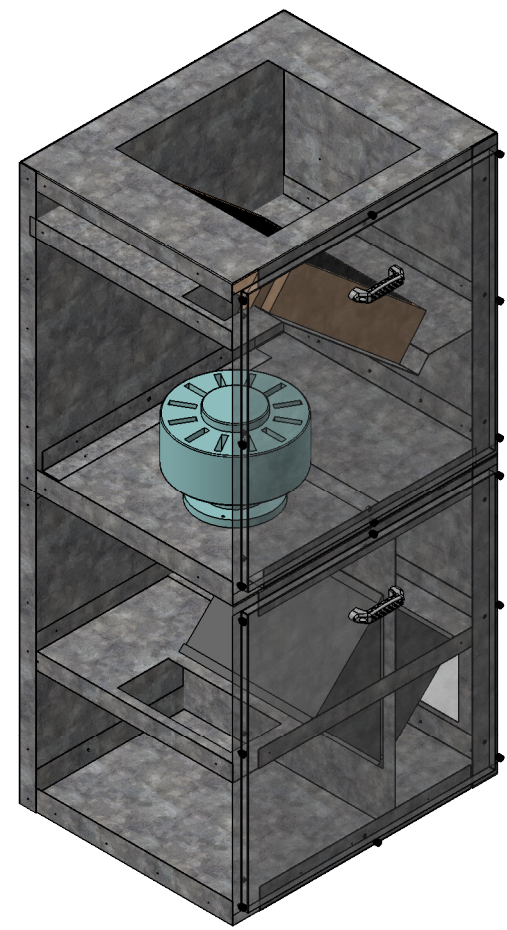
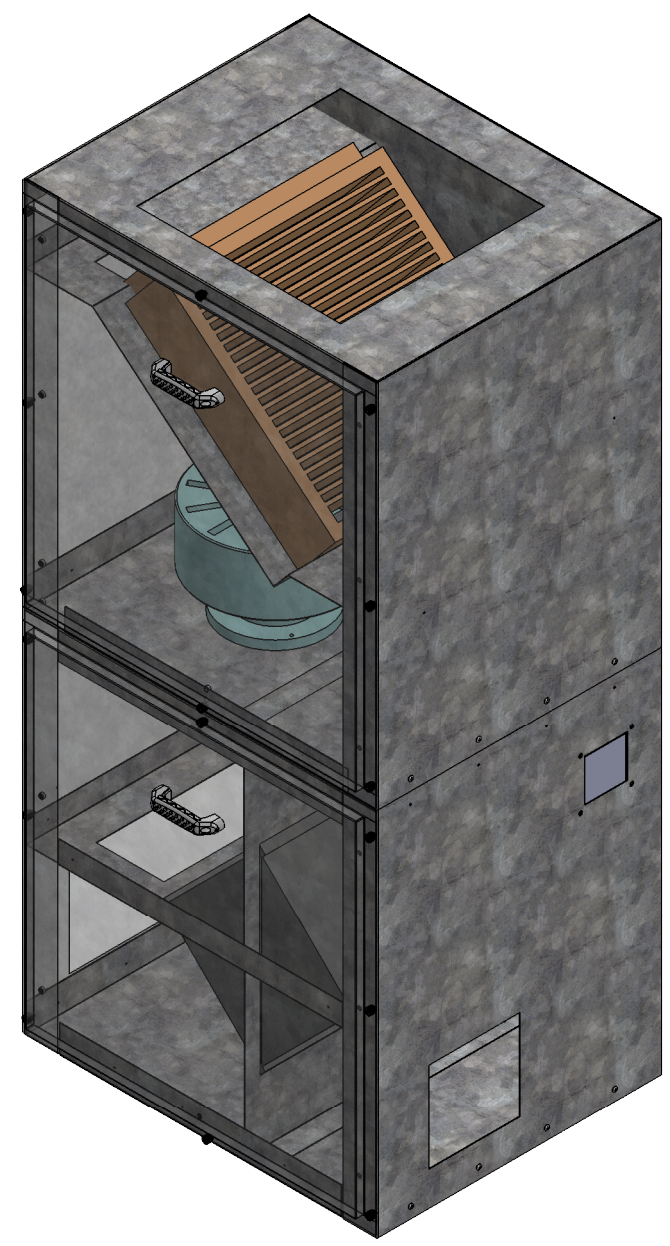
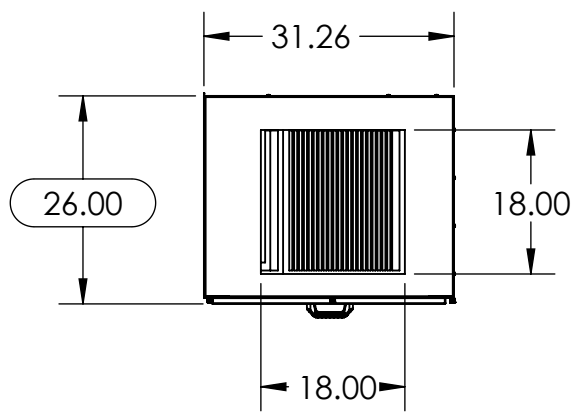
1

2

3

4

REV	DESCRIPTION	DATE	APPROVED



APPROVALS	DATE	UNLESS OTHERWISE SPECIFIED DIMENSIONS ARE IN MILLIMETER TOLERANCES ARE:	UNLESS OTHERWISE SPECIFIED DIMENSIONS ARE IN INCH TOLERANCES ARE:
DRAWN:		WHOLE NUMBERS DECIMALS ANGLES FRACTIONS DECIMALS ANGLES	
CHECKED:		.X +/- 0.76	.X +/- .030
APPR:		+/- 0.39mm .XX +/- 0.50 +/- 1/2 DEG.	+/- 1/64 .XX +/- .020 +/- 1/2 DEG.
APPR:		.XXX +/- 0.25	.XXX +/- .010
MATERIAL:		THIRD ANGLE PROJECTION	THIRD ANGLE PROJECTION
FINISH:			



CUSTOMER		A) 2-3 Ton Air Source Heat Pump	
DESCRIPTION		B) 2-3 Ton Air conditioning	
SIZE	FSCM NO.	DWG NO. MA-81-000001	REV
B			
SCALE	DO NOT SCALE DRAWING	SHEET 1	OF 1

1

2

3

4